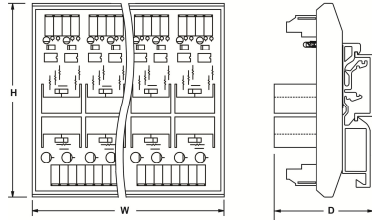
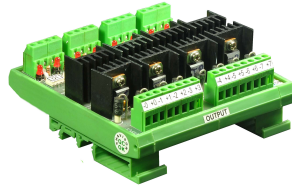
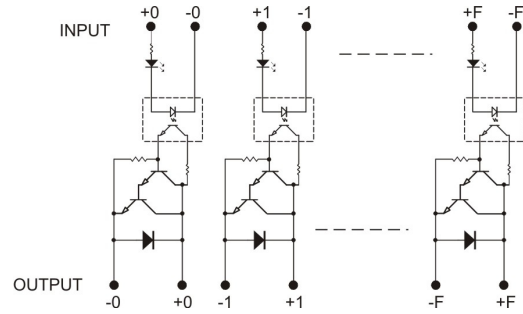


SOLID STATE INTERFACE MODULE WITH OUTPUT: 24V, 2A

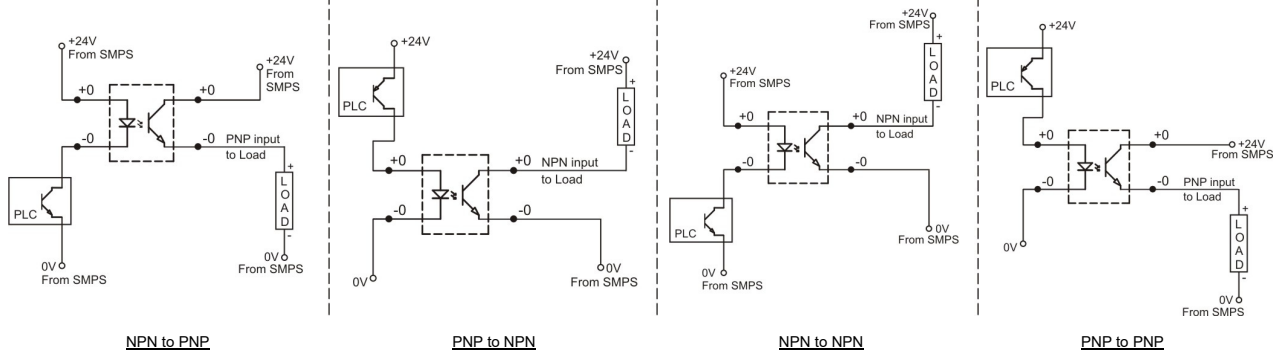


Dimensions



Schematic

Typical Connections: For Resistive Load only [Not recommended for Inductive load. Use AS771 to AS775 (non-isolated) for inductive load]



FEATURES	<ul style="list-style-type: none"> Optical Isolation between Input & Output Low Input Current Negligible switching delay Can be used as NPN to PNP Converter or vice versa 					
NO. OF CHANNELS	2, 4, 6, 8, 12, 16					
INPUT	NOMINAL INPUT VOLTAGE	5VDC	12VDC	15VDC	24VDC	
	MUST - ON VOLTAGE	4.5VDC	10.8VDC	13.5VDC	21.6VDC	
	MUST - OFF VOLTAGE	1.0VDC	3.3VDC	3.3VDC	7.5VDC	
	MAX. INPUT VOLTAGE	5.5VDC	13.2VDC	16.5VDC	26.4VDC	
	INPUT CURRENT PER CHANNEL ⁽¹⁾	< 15mA				
	MAX. OPERATING FREQUENCY	10KHz				
OUTPUT	RATING	24VDC, 2A Resistive only [Not recommended for Inductive load. Use AS771 to AS775 (non-isolated) for inductive load]				
	OFF STATE LEAKAGE CURRENT	< 20µA				
DIELECTRIC STRENGTH	1. Inputs - channel to channel (when isolated) : 100VAC, 50/60 Hz for 1 minute 2. Input to Output : Optical - 500VAC, 50/60 Hz for 1 minute 3. Outputs - channel to channel : 100VAC, 50/60 Hz for 1 minute					
OPERATING AMBIENT	0~55°C, 85% RH					
STORAGE AMBIENT	-20°C to 85°C					
TERMINATIONS	INPUT SIDE	Screw type, for 2.5mm sq. wire				
	OUTPUT SIDE	Screw type, for 2.5mm sq. wire				
MOUNTING	35 mm DIN rail					
ORDERING INFORMATION						
	NO. OF CHANNELS	DESIGN NO.	INPUT VOLTAGE	OUTPUT VOLTAGE	DIMENSIONS W x H x D (mm)	WEIGHT (MAX)
	2	AS782	5V : 5VDC 12V : 12VDC 15V : 15VDC 24V : 24VDC	24VDC, 2A	50 x 115 x 70	90 grams
	4	AS783			70 x 115 x 70	150 grams
	6	AS784			92 x 115 x 70	200 grams
	8	AS785			115 x 115 x 70	275 grams
	12	AS786			170 x 115 x 70	390 grams
16	AS787	204 x 115 x 70			500 grams	

Note : 1. Current including LED current